



# Inert gas extinguishing technology

## Monitoring device

**Contact pressure gauge NC with plug QRV  
200 bar and 300 bar**



**Approvals / CE marking**



G309005



0786-CPD-30095

**SAP designation**

e.g. part no. 917534: Contact press. gauge 200bar NC plug QRV

**Maintenance**

functional check within the framework of system-specific functional test

Nominal pressure at 15 °C (59 °F) bar (psi)	Part no.	Switching mode <sup>2)</sup>	Pressure range / switching point bar (psi)	Max. working pressure at 50 °C (122 °F) bar (psi)	Weight kg (lbs)
200 (2900)	917534	break contact (NC)	315 / 180 ±5 (4400 / 2611 ±73)	240 (3481)	0.16 (0.35)
300 (4350)	917535		400 / 270 ±7.5 (5800 / 2916 ±109)	360 (5221)	

**Technical data**

Type .....PGS 21.050  
 Pressure medium ...argon (IG-01), nitrogen (IG-100), IG-55, IG-541  
 Nominal size .....50  
 Accuracy class .....1.6  
 Temperature ranges: <sup>3)</sup>  
 Working temperature .....+5 °C to +25 °C (41 °F to 77 °F)  
 Product temperature, storage temperature:  
 .....-40 °C to +60 °C (-40 °F to 140 °F)  
 .....measuring medium max. +60 °C (140 °F)  
 IP code .....IP65 with closed plug connection  
 Directives, Standards ....EN837-1, VdS CEA 4030, EN 12094-10  
 CE conformity ....acc. to Construction Products Regulation (EU)  
 .....No. 305/2011

**Electrical data**

Switching voltage .....4.5 - 24 V DC / VAC  
 Switching current .....5 - 100 mA  
 Contact load .....max. 2,4 W, dry contact  
 Wiring .....1 kΩ internal resistance  
 Electric connection .....3-pin with socket M8x1  
 Input .....connector plug  
 Output .....cable with cable socket  
 Cable length .....70 cm (27,56")

**Material / Surface**

Housing .....CrNi steel, flange execution  
 Throttle .....sintered metal insert  
 Measuring network, motion work .....copper alloy  
 Inspection glass .....polycarbonate  
 Pressure connection .....M12x1, SW14

**Design of instrument dial**

Material .....aluminium, white  
 Inscription .....black  
 Scale .....dual scale (bar / psi)  
 Indicating range .....0 to pressure range  
 Indicating range marked:  
 - in red .....0 to switching point  
 - in green .....switching point to max. working pressure  
 .....at 50 °C (122 °F)

**Marking**

manufacturer code (WIKA), bar, accuracy class (1.6),  
 type designation (PGS 21.050), switch pressure via set point  
 on dial, year (WW YY), approval sign (VdS, CE)

**Not included in delivery**

Connection set contact pressure gauge ...913930, see monitoring device

<sup>1)</sup> The pressure gauge may be used only in the temperature range from +5 °C to +25 °C (41 °F to 77 °F) at the side of the extinguishing agent cylinders to be monitored.

<sup>2)</sup> **Note switching mode**

Break contact (NC) - pressureless closed:  
 At nominal pressure the contact is opened. Contact makes with falling pressure or anticlockwise pointer motion.

<sup>3)</sup> **Note for temperature ranges**

Observe a working temperature from +5 °C to +25 °C (41 °F to 77 °F) to receive an indication of loss of extinguishing agent in accordance with VdS / CE.

The mechanical, electrical function of the contact pressure gauge is guaranteed within the product temperature ranges from -40 °C up to +60 °C (-40 °F to 140 °F).



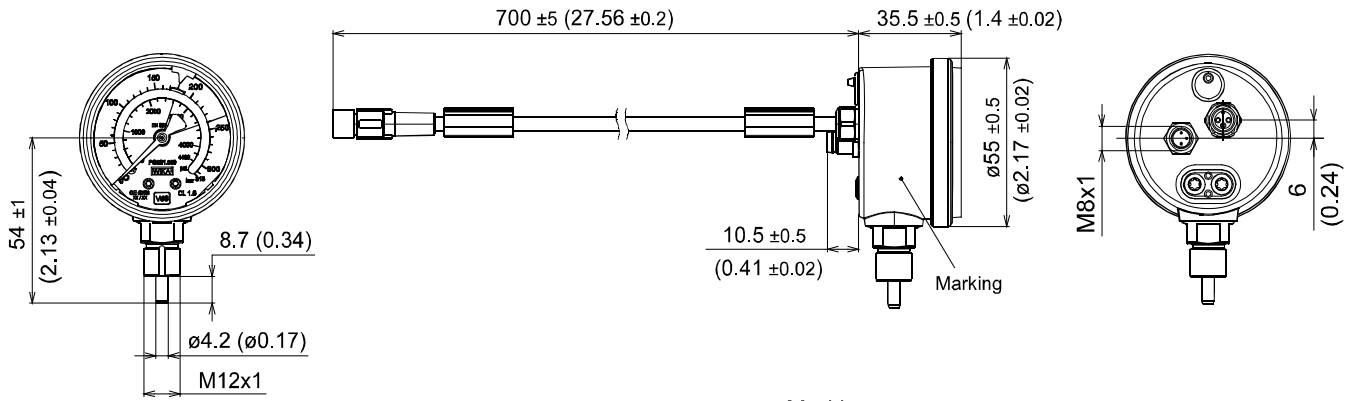
# Inert gas extinguishing technology

## Monitoring device

### Contact pressure gauge NC with plug QRV 200 bar and 300 bar

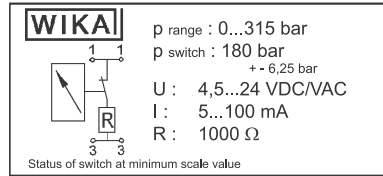
#### Dimension drawing

Dimensions in mm (inch)



#### Marking:

##### Contact pressure gauge 200 bar



##### Contact pressure gauge 300 bar

