



Extinguishing technology CO₂ HP

Ad-on part cylinder CO₂ HP

Weight weighing device



Approvals

no approval required

SAP designation

e.g. part no. 888806: Weight 0,16 kg weighing device

Maintenance

maintenance-free

Weight weighing device	Part no.	Weighing range in kg (lbs)		
		min.	max.	max. ¹⁾
0.16 kg	888806	12 (26.5)	14 (30.8)	-
0.22 kg	812597	12 (26.5)	14 (30.8)	-
0.3 kg	829528	20 (44.1)	28 (61.7)	-
1.0 kg	887753	57 (125.7)	85 (187.3)	80 (176.3)
1.2 kg	772280	65 (143.3)	95 (209.4)	90 (198.4)
1.6 kg	769548	95 (209.5)	130 (286.6)	110 (242.5)
1.9 kg	772291	110 (242.6)	155 (341.7)	125 (275.5)
2.3 kg	778372	135 (297.7)	185 (407.8)	140 (308.6)

¹⁾ Weighing range with consideration to a cover

Material / surface

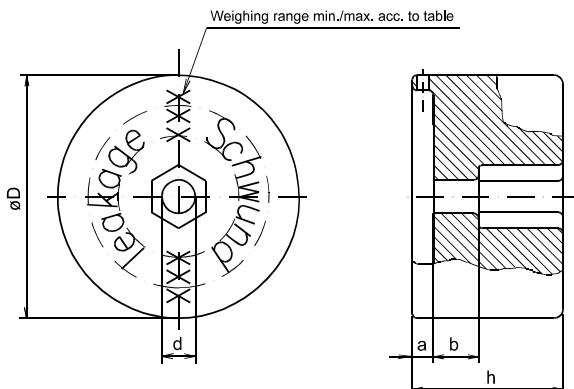
Weights 0.16 up to 0.3 kgbrass
 Weights 1.0 up to 2.3 kg ..cast iron acc. to EN 1561, EN-GJL-200,
powder coated RAL3000 - red

Correct choice of weight

see operating instruction weighing device WE4, part no. 888807

Dimension drawing

Dimensions in mm (inch)



Weight	øD	d	a	b	h
0.16 kg	50 (1.97)	M10	-	10 (0.39)	10 (0.39)
0.22 kg	80 (3.15)		-	5.4 (0.21)	5.4 (0.21)
0.3 kg			-	7.0 (0.28)	8.5 (0.33)
1.0 kg		11 (0.43)	7 (0.28)	15 (0.59)	35 (1.38)
1.2 kg	39 (1.54)				
1.6 kg	50 (1.97)				
1.9 kg	61 (2.4)				
2.3 kg	72 (2.83)				