



# Inert gas extinguishing technology

## Ad-on part cylinder

### Hose CO<sub>2</sub> / IG W21 365 bar



### Approvals / CE marking



G302004



0786-CPR-30124

### SAP designation

e.g. part no. 927968: Hose CO<sub>2</sub>/IG/W21/375

### Maintenance

see technical description hose part no. 886027

Designation		Part no.	Length	Weight
Hose CO <sub>2</sub> /IG W21	375	927968	375 mm (14.76")	0.55 kg (1.21 lbs)
	600	927969	600 mm (23.62")	0.75 kg (1.65 lbs)

### Technical data

Operating medium ..... argon (IG-01), nitrogen (IG-100),  
 ..... IG-55, IG-541, carbon dioxide (CO<sub>2</sub>)  
 Nominal diameter ..... DN12  
 Bending radius ..... ≥ 130 mm (5,12")  
 Bending angle ..... max. 90°  
 Temperature range ..... - 40 °C to + 50 °C (-40 °F to 122 °F)  
 Working pressure ..... 365 bar (5294 psi)  
 Test pressure ..... 548 bar (7948 psi)  
 Bursting strength ..... min. 1095 bar 15882 psi)  
 Hose (type 1 connection) ..... complies with EN 12094-8  
 CE conformity ...acc. to Construction Products Regulation (EU)  
 ..... No. 305/201

### Application

The hose must only be used in accordance with system approval in stationary argon, nitrogen, IG-55, IG-541 and CO<sub>2</sub> fire extinguishing systems.  
 The hose is used to connect the extinguishing agent cylinder with the manifold or rather the check valve.

### Not included in delivery

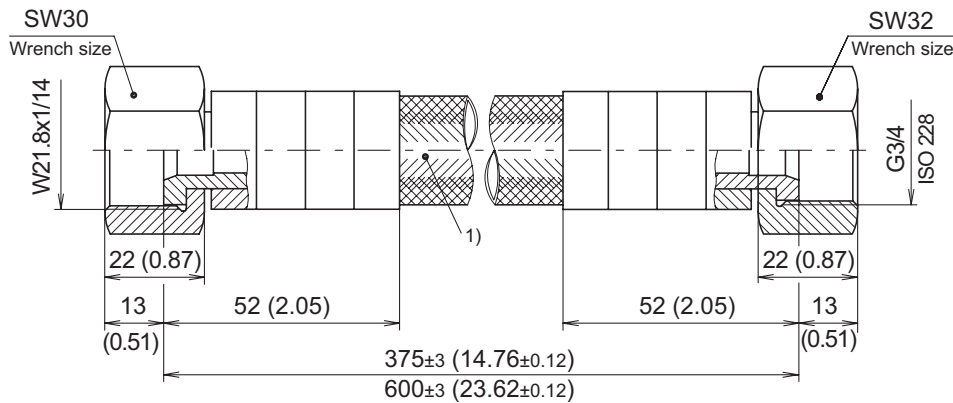
Sealing 23 x 14 x 2 for thread G3/4 ..... 149890  
 Sealing 18,5 x 13 x 2 for thread W21.8 x 1/14 ..... 149970  
 Technical description hose ..... 886027  
 (included in delivery of the cylinder rack)

### Marking on the fitting

type (CO<sub>2</sub>/IG/W21/375 or 600), approval (VdS), CE,  
 manufacturer sign, working pressure (365 bar),  
 manufacturing date (MM/YY)

### Dimension drawing

Dimensions in mm (inch)



<sup>1)</sup> Coating pricked or vulcanized porosity according to the manufacturer's choice.